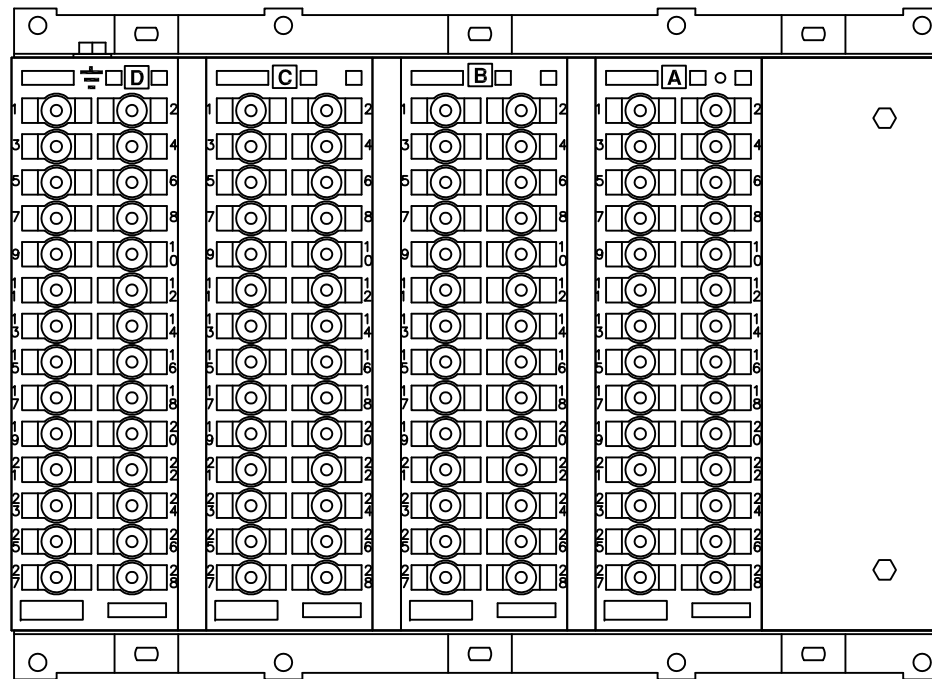




IF IN DOUBT ASK
DO NOT SCALE

ABBREVIATIONS	
I-	CURRENT INPUTS
V-	VOLTAGE INPUTS
BI-	BINARY INPUTS
BO-	BINARY OUTPUTS
CO-	CHANGE OVER BINARY OUTPUT CONTACTS
NO-	NORMALLY OPEN BINARY OUTPUT CONTACTS
NC-	NORMALLY CLOSED BINARY OUTPUT CONTACTS

COMMUNICATIONS IDENTIFICATION	
COM1	RS485 (ON BLOCK 'B' TERMINALS 14,16,18 & 20)
COM2	USB TYPE 'B' PORT (ON RELAY FRONT LABEL)



RELAY VIEWED FROM REAR

NOTES

- TERMINALS RECOMMENDED ARE PRE-INSULATED & MUST BE CRIMPED USING APPROVED TOOLING. AMP PIDG OR PLASTI GRIP FUNNEL ENTRY (RING TONGUE) FOR M4 FIXING STUD.
- FOR OUTLINE & PANEL DRILLING, SEE 2995X10010 (A4).
- CONNECTIONS TO THIS COMMUNICATIONS FACILITY IS BY SCREENED, TWISTED PAIR CABLE, ON SITE. WHEN WIRING OTHER FACILITIES ENSURE THAT THESE TERMINALS ARE NOT OBSCURED BY OTHER WIRE RUNS.
- CONTACTS SHOWN THIS ARE INTERNAL RELAY CASE ASSEMBLY AND CLOSE WHEN THE RELAY CHASSIS IS WITHDRAWN FROM THE CASE.
- THESE CTs ALTHOUGH FITTED ARE NOT ACTIVE IN RECLOSER-M MODELS.

SUPPLIER	PART NUMBER	CABLE SIZE
AMP	342103	0.25-1.6mm ²
AMP	342143	1.0-2.6mm ²

OR ANY OTHER MANUFACTURERS EQUIVALENT TERMINAL.

A

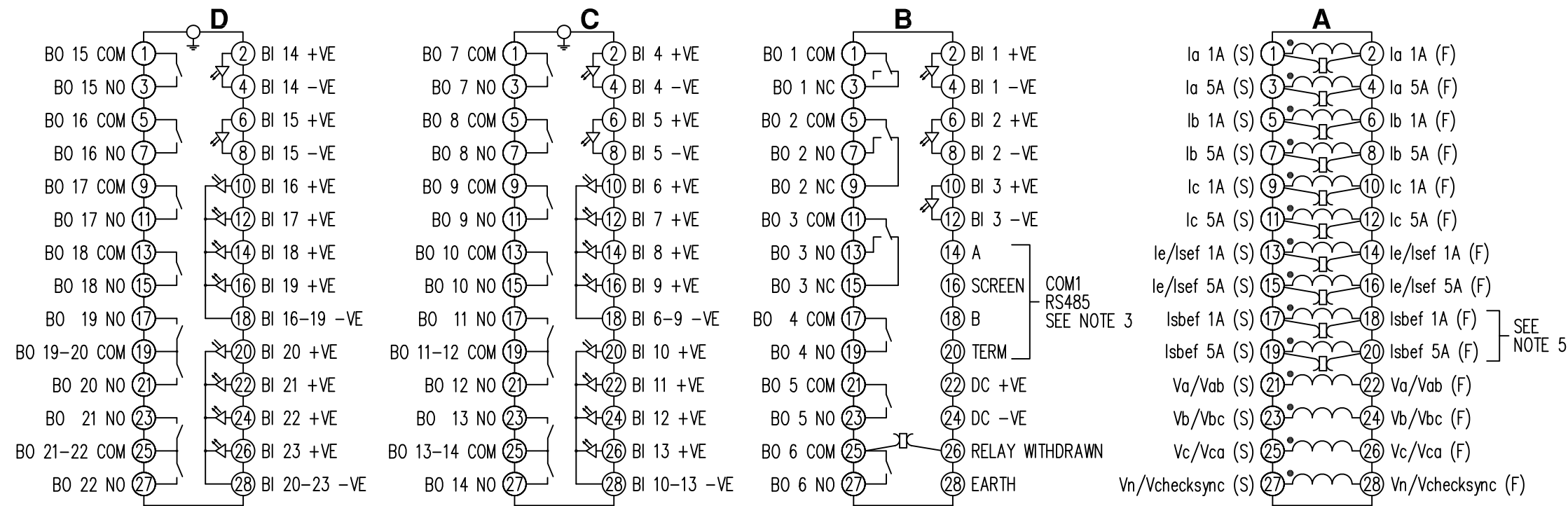
B

C

D

E

F



COMMS
BLANKING
PLATE

NOT SUBJECT TO UPDATE
ONCE COPIED / PRINTED
OR DOWNLOADED

4 RDW	25/06/08	NOTE 5 ADDED MN435/2970 AL
3 RDW	07/04/08	BO 16 NO WAS BO 6 NO IN ERROR MN435/2947 AL
2 RDW	18/07/07	MN435/2886 RDW
1	19/02/07	CHANGE
ISSUE	DATE	NOTED

MATERIAL:

Dimensions in millimetres : Surface texture in micrometres.
Machine where marked
For explanation of dimensions, tolerances, notes etc. see B.S.308.
Limit on untoleranced unmachined dimensions ± _____
Limits on untoleranced machined dimensions to B.S.4500;
i.e. up to 6±0.1; over 30 to 120±0.3; over 315±0.8;
over 6 to 30±0.2; over 120 to 315±0.5;
General unmachined angular tolerance ± _____

Finish:

Title:
TERMINAL ID & WIRING DIAGRAM FOR RM PLATFORM
(5I,4V,23BI,2CO,19NO,1NC,RS485) E10 CASE

First used on:

Treatment:

SIEMENS PROTECTION DEVICES LTD.

Original Scale.

NTS

Drq. No.

2435W40009

DRAWN M MATHER	CHECKED RDW	APPROVED RD.WATSON	DATE 19/03/07	IE	OPS	PCP	Purch.Spec. TQ	EAC	CE	STD	A3
----------------	-------------	--------------------	---------------	----	-----	-----	----------------	-----	----	-----	----

Copyright © 2007 Siemens Protection Devices Ltd. Hebburn